

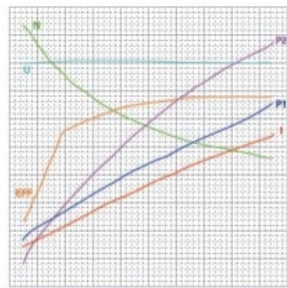
Электродвигатель DC24V 2,2KW



Motor Load Characteristic Curve

客户名称/Customer	无锡金乐汽车电机厂	额定电压/Voltage	24(V)
电机型号/NO	ZD2420	额定功率/Power Rated	2.2KW(W)
电机编号/Number	10	额定转速/Speed Rated	2700R/MIN
测试人员/Tester	6	测试日期/Test Date	2016-03-24

U(V)	I(A)	n(rpm)
30.00	200.0	6000
27.00	180.0	5400
24.00	160.0	4800
21.00	140.0	4200
18.00	120.0	3600
15.00	100.0	3000
12.00	80.0	2400
9.00	60.0	1800
6.00	40.0	1200
3.00	20.0	600
0.00	0.0	0



P1(W)	P2(W)	EFF(%)
4000	2000	100.0
3600	1800	90.0
3200	1600	80.0
2800	1400	70.0
2400	1200	60.0
2000	1000	50.0
1600	800	40.0
1200	600	30.0
800	400	20.0
400	200	10.0
0	0	0.0

空载点 (Unload) :

转速 (n)	=	5570 (rpm)
电流 (A)	=	28.410 (A)

最大转矩点 (Max_Torque)

转矩 (M)	=	6.060 (N.m)
电流 (I)	=	109.360 (A)
转速 (n)	=	2753 (rpm)
效率 (Eff)	=	67.12 (%)
输出功率 (P2)	=	1747.20 (W)

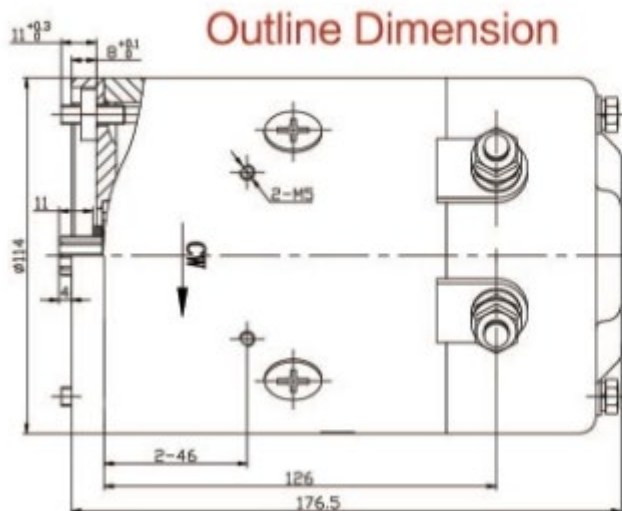
最大效率点 (Max_Efficiency)

效率 (Eff)	=	67.25 (%)
转速 (n)	=	2914 (rpm)
转矩 (M)	=	5.160 (N.m)
电流 (I)	=	98.260 (A)
输出功率 (P2)	=	1575.70 (W)

最大输出功率点 (Max_Pout)

效率 (Eff)	=	67.12 (%)
转速 (n)	=	2753 (rpm)
转矩 (M)	=	6.060 (N.m)
电流 (I)	=	109.360 (A)
输出功率 (P2)	=	1747.20 (W)

型号/Type	电压/Voltage	功率/Power	转速/Speed	转向/Rotation	外径/O.D
ZD2420	24V	2.2KW	2700RPM	CW/顺时针	114mm



Outline Dimension

