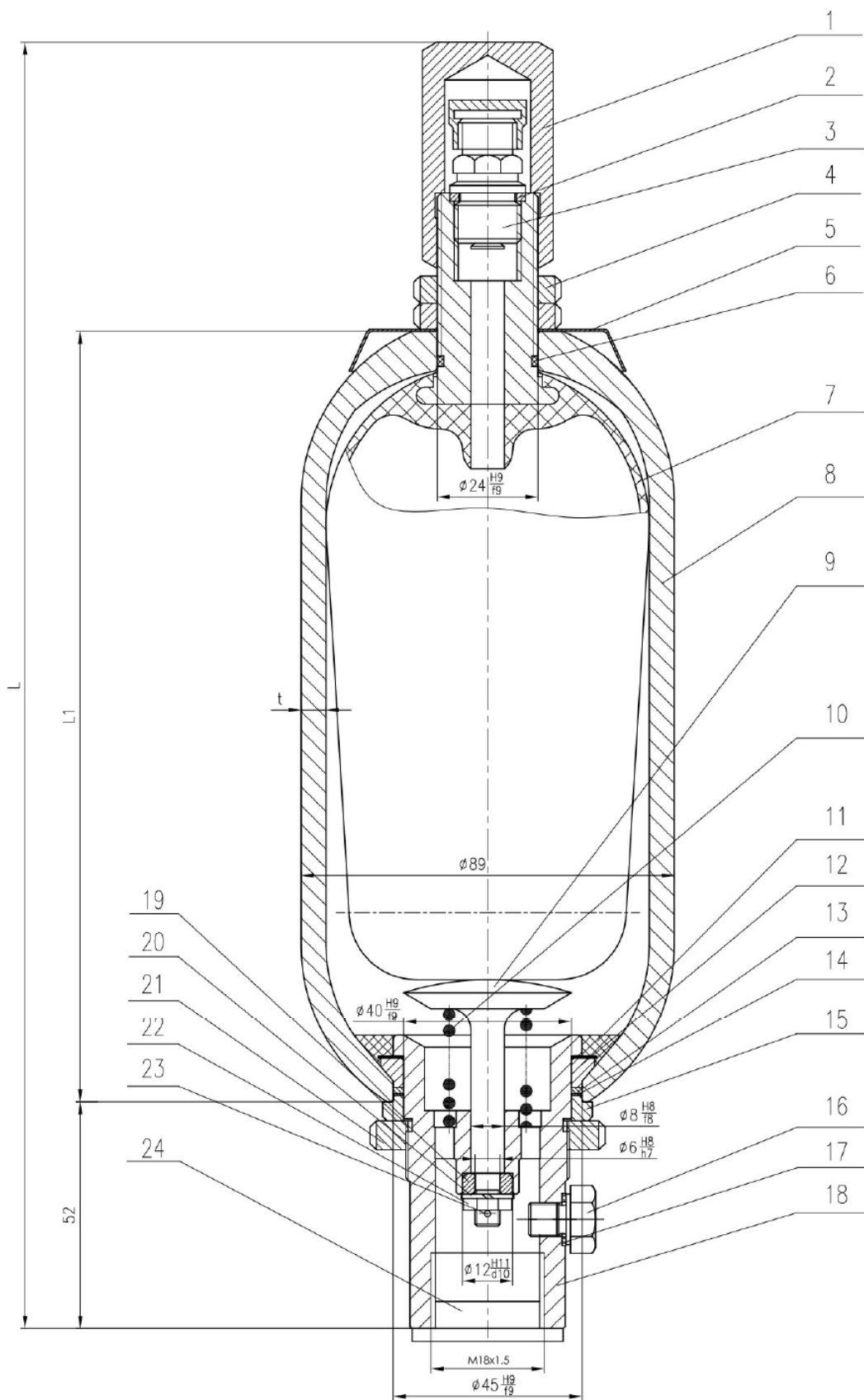


Пневмогидроаккумулятор LXQ (NXQ) 0.4L-1,6L



Technical Parameter Table of Bag Accumulator

Code Name	Type	Pressure (MPa)	Nominal Volume (L)	Shell Material	t (mm)	L1 (mm)	L (mm)	Weight (kg)	Specifications of capsules used
VT000008536	LQX0. 4L/31. 5MPa M18X1. 5 (5/8-18UNF)	31. 5	0. 4	35CrMo	6	130	260	2. 41	0. 4x74
VT000008537	LQX0. 63L/31. 5MPa M18X1. 5 (5/8-18UNF)	31. 5	0. 63	35CrMo	6	185	315	3. 07	0. 63x144
VT000008538	LQX1L/31. 5MPa M18X1. 5 (5/8-18UNF)	31. 5	1. 0	35CrMo	6	300	430	3. 87	1x250
VT000008539	LQX1. 6L/31. 5MPa M18X1. 5 (5/8-18UNF)	31. 5	1. 6	35CrMo	8	215	365	7. 3	1. 6x144

24	ZUTS-102-20 12-01-04	Protective plug	1	Plastics			0.005	
23	GB/T91-2000	Pin M1.5x15	1	Q215A			/	
22	GB6179-86	INut M6	1	35			0.005	
21	GB810-88	Nut M39x1.5	1	45			0.10	Levels 4 and 5
20	GB93-87	Washer 6	1	65Mn			0.002	
19	ZUTS-102-20 12-01-04	Piston	1	40Cr			0.005	
18	ZUTS-102-20 12-01-03	Body	1	40Cr			0.287	
17	ZUTS-102-20 12-01-03	Washer	1	T3			0.003	
16	ZUTS-102-20 12-01-02	Threaded Plug	1	45			0.007	
15	ZUTS-102-20 12-01-03	Compression Ring	1	45			0.028	
14	ZUTS-102-20 12-01-02	Retaining Ring	1	45			0.001	
13	GB1235-76	O-ring 45X3.1	1	Rubber			0.002	
12	ZUTS-102-20 12-01-02	Support Ring	1	40Cr			0.028	
11	ZUTS-102-20 12-01-02	Rubber Ring	1	Assembly			0.015	
10	ZUTS-102-20 12-01-03	Spring	1	65Mn			0.005	
9	ZUTS-102-20 12-01-03	Valve	1	40Cr			0.07	
8	ZUTS-102-20 12-01-04	Housing	1	Refer to Part Drawing				
7	HG2331-1992	Capsule	1	Assembly				
6	GB1235-76	O-ring 24x2.4	1	Rubber			0.001	
5	ZUTS-102-20 12-01-02	Nameplate	1	H62			/	
4	GB810-88	Nut M24x1.5	2	45	0.034		0.068	
3	5/8-18UNF	Inflation Valve	1	Assembly			0.053	Purchased
2	NX335-14	Washer	1	T3			0.002	Purchased
1	ZUTS-102-20 12-01-02	Cap	1	35			0.12	
PART NO.	DWG. NO. OR STANDARD OR SPECIFICATION	DESCRIPTION	Q'TY	MATERIAL			WT. (KG)	REMARKS